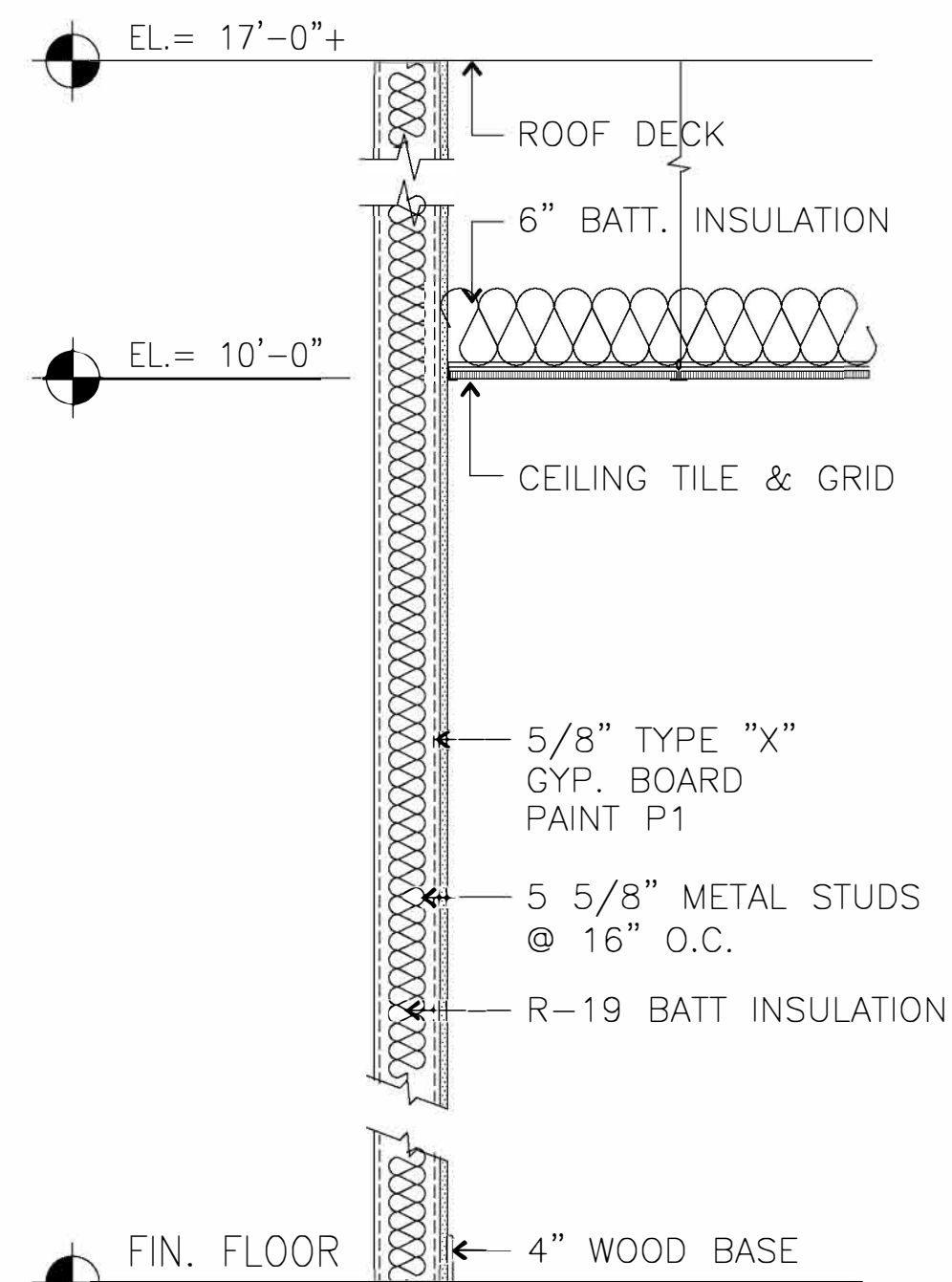
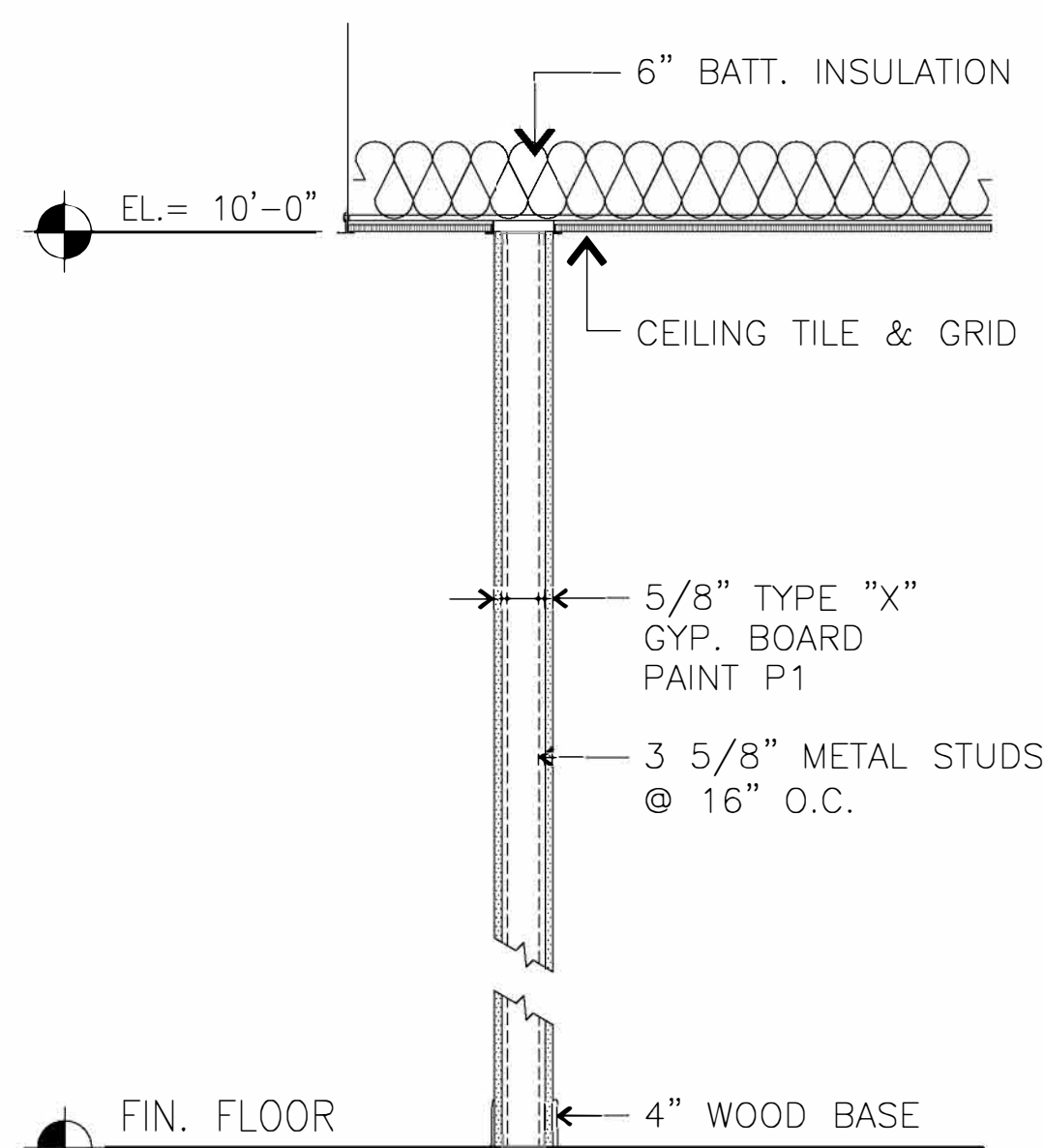


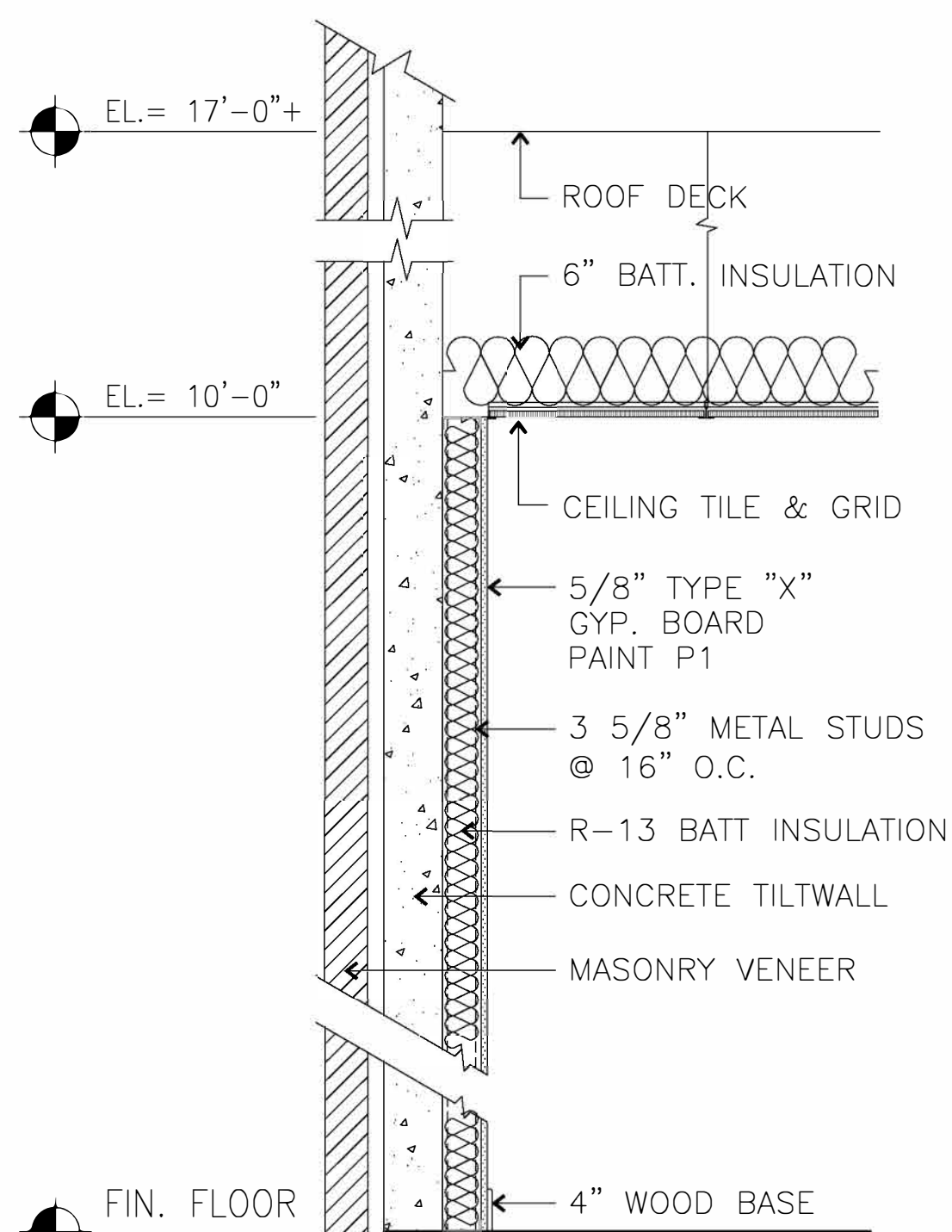
TYPE A



TYPE B

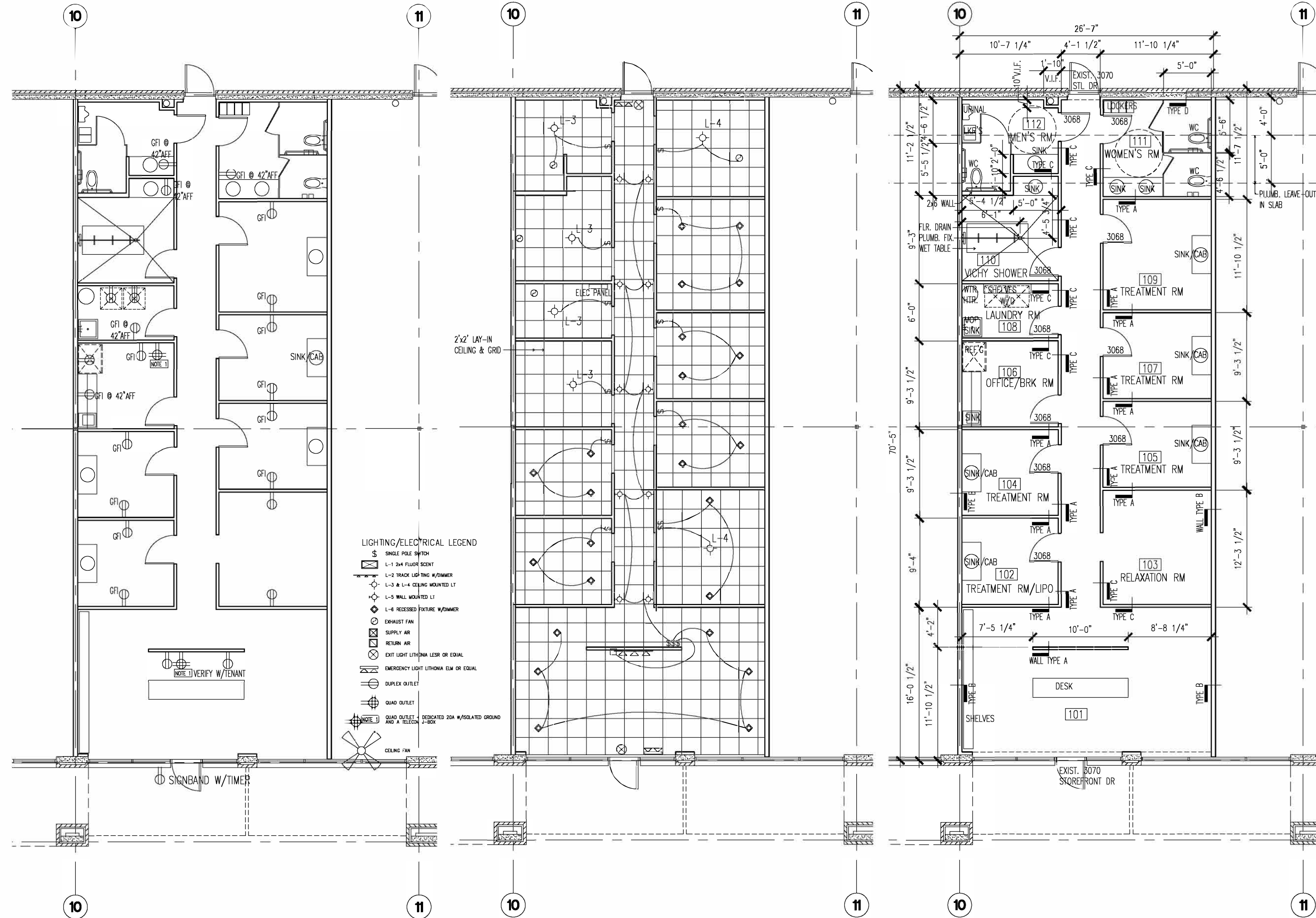


TYPE C



TYPE D

5 WALL SECTION  
SCALE: 3/4" = 1'-0"



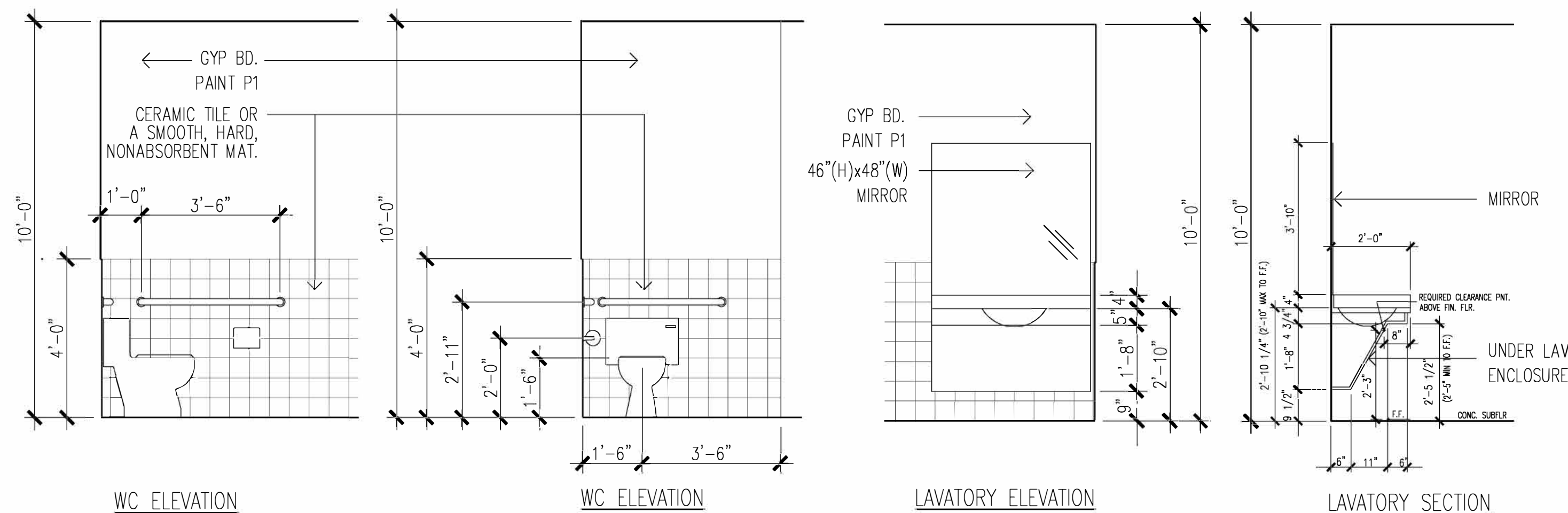
3 ELECTRICAL PLAN  
SCALE: 1/8" = 1'-0"

2 REFLECTED CEILING PLAN  
SCALE: 1/8" = 1'-0"

1 FLOOR PLAN  
SCALE: 1/8" = 1'-0"

ROOM FINISH SCHEDULE										
ROOM	FLOOR	BASE	WALLS			CEILING	HT.	REMARKS	FINISHES	
			N	S	E				W	CARPET
101	LOBBY		G	P	P	P	10'-0"			
102	TREATMENT/LIPO		P	P	P	P	10'-0"			
103	RELAXATION		P	P	P	P	10'-0"			
104	TREATMENT		P	P	P	P	10'-0"			
105	TREATMENT		P	P	P	P	10'-0"			
106	TREATMENT		P	P	P	P	10'-0"			
107	TREATMENT		P	P	P	P	10'-0"			
108	LAUNDRY		P	P	P	P	10'-0"			
109	TREATMENT		P	P	P	P	10'-0"			
110	WCHY SHOWER		T	T	T	T	10'-0"	GRIND FLR TO SLP 2% TO FLR DRAIN		
111	WOMEN'S WC		P	P	P	P	10'-0"	FRP BD TO 4' A.F.F., PNT. ABV.		
112	MEN'S WC		P	P	P	P	10'-0"	FRP BD TO 4' A.F.F., PNT. ABV.		

LIGHTING FIXTURE SCHEDULE		
ITEM	QTY	ITEM/DESCRIPTION PRODUCT
L-1	0	2x4 TRUSSER W/3-F-32 T-8-SP
L-2	1	TRACK LIGHTING 44" BLACK TRACK W/3 50W LOW VOLTAGE HALOGEN
L-3	4	CEILING MOUNTED W/1 22W FLUORESCENT
L-4	2	CEILING MOUNTED W/3 40W INCANDESCENT
L-5	10	WALL MOUNTED W/1 40W INCANDESCENT
L-6	24	RECESSED CAN W/1 22W COMPACT FLUORESCENT



4 RESTROOM DETAILS  
SCALE: 3/8" = 1'-0"