

Electrical Information

Breaker Panel 1:
 Service Type: 120/208
 Panel Type: A Series Panelboard
 Panel Number: GB 919263
 Manufacturer: General Electric
 Amps: 400
 Location: Kitchen
 Notes:

Breaker Panel 2:
 Service Type: 120/208
 Panel Type: Not Listed
 Panel Number: Not Listed
 Manufacturer: Cutler Hammer
 Amps: 125
 Location: Kitchen
 Notes:

Exterior Disconnect Information:

Exterior Disconnect 1:
 Amps: 400
 Panel Type: General Duty Safety Switch
 Panel Number: Not Listed
 Manufacturer: General Electric
 Location: Rear Right of Unit 16

Ceiling Information:

Height from Floor to Ceiling:
 Front: Open Ceiling Back: 9' 10"
 Floor to Bottom of Deck:
 Front: 17' Back: 16'
 Floor to Bottom of Joist:
 Front: 14' 8" Back: 13' 9"

Fire Information:

Riser Location: No Riser in Unit
 Sprinkler Heads Present: Yes
 Number of Sprinkler Heads: 0
 Fire Alarm Control Panel:
 Present: No
 Brand: N/A
 Model: N/A
 Notes: No Fire Alarm Control Panel

Water Heater Information:

Gallons: Label Not Visible
 Water Line (in): 3/4"
 Manufacturer: Label Not Visible
 Model: Label Not Visible
 Location: Kitchen
 Notes: Gas and Continues Up Into Ceiling

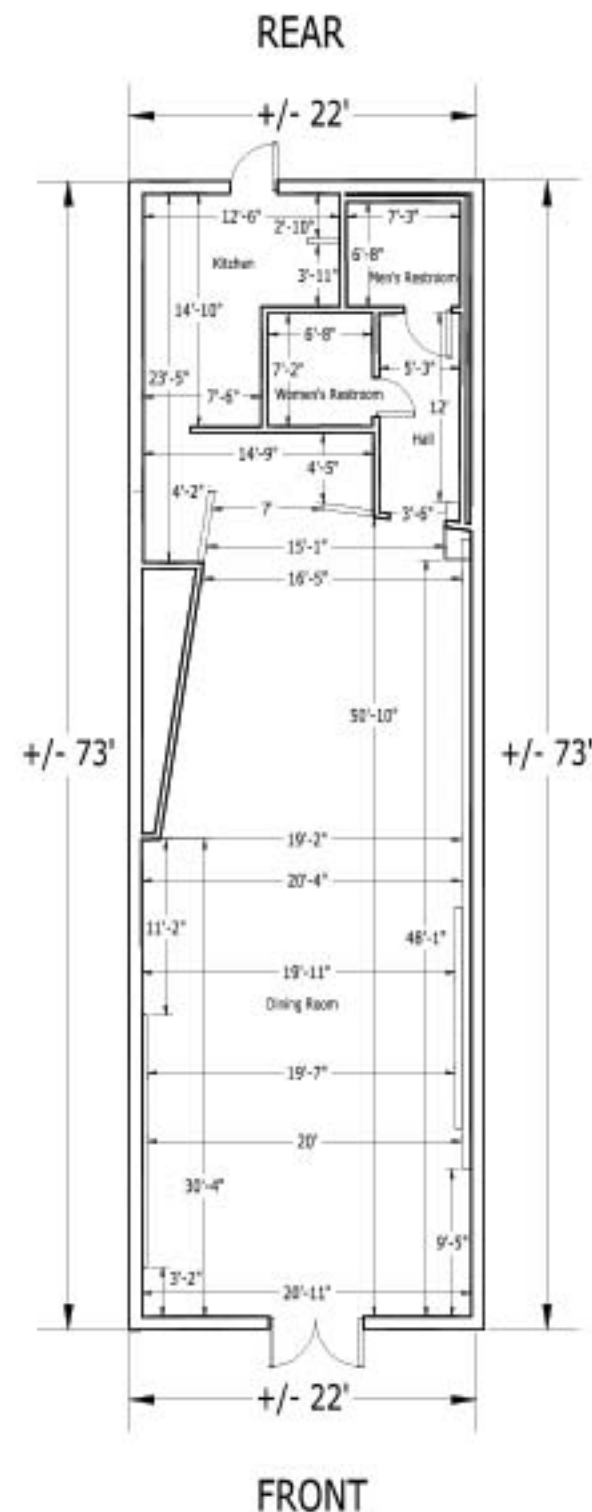
Backflow Information:

Number: 0
 Size: N/A
 Location: No Backflow Present

HVAC Information:

Unit: 1
 Manufacturer: LENNOX
 Model: YSC048E3ELA18000000000000 B
 Serial: 113312354L
 Tonnage: 4
 Year: 2011
 Notes:

Unit: 2
 Manufacturer: LENNOX
 Model: YSC072E3ELA12000000000000 C
 Serial: 113311410L
 Tonnage: 6
 Year: 2011
 Notes:



Electrical Information

Breaker Panel 1:
Service Type: 120/208
Panel Type: A Series Panelboard
Panel Number: FZ 476329
Manufacturer: General Electric
Amps: 225
Location: Storage Room
Notes:

Exterior Disconnect Information:

Exterior Disconnect 1:
Amps: 200
Panel Type: General Duty Safety Switch
Panel Number: Not Listed
Manufacturer: Eaton
Location: Rear Right of Unit 16

Ceiling Information:

Height from Floor to Ceiling:
Front: 9' 3" Back: 11' 10"
Floor to Bottom of Deck:
Front: 16' 7" Back: 15' 8"
Floor to Bottom of Joist:
Front: 14' 4" Back: 13' 4"

Fire Information:

Riser Location: No Riser In Unit
Sprinkler Heads Present: Yes
Number of Sprinkler Heads: 16
Fire Alarm Control Panel:
Present: Yes
Brand: (1) Honeywell, (2) Radionics
Model: (1) Gamewell FCI 7100 1D
(2) D7212
Notes: (1) 817-222-1283, (2) 972-691-9784

Water Heater Information:

Gallons: Inaccessible
Water Line (in): 3/4"
Manufacturer: Whirlpool
Model: Inaccessible
Location: Above Mop Sink in Unisex Restroom 2

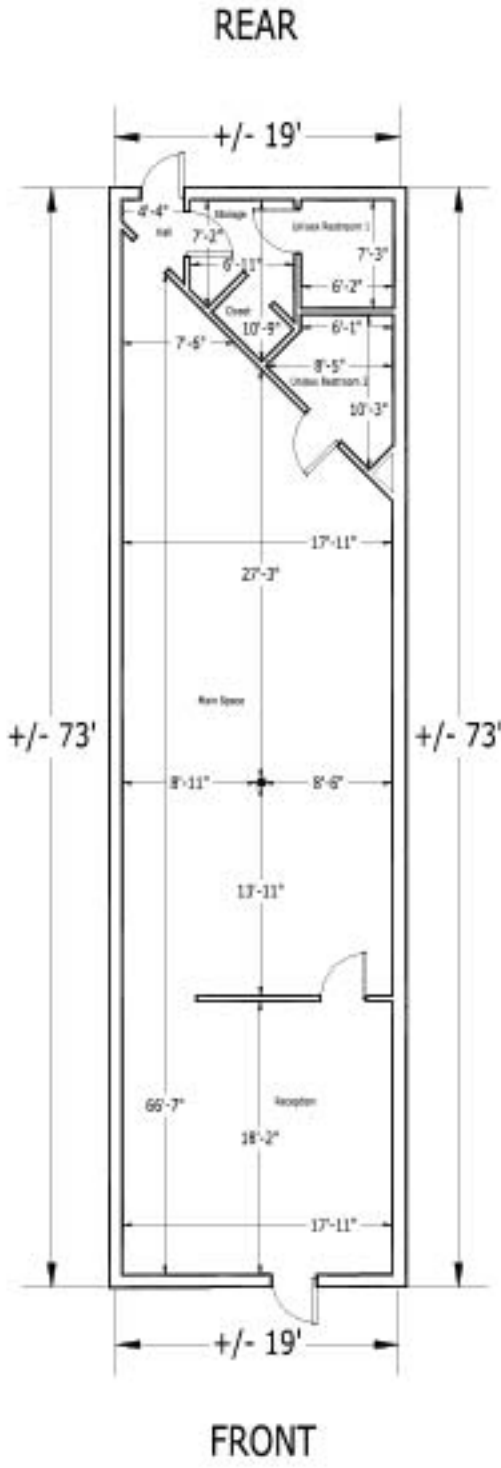
Backflow Information:

Number: 0
Size: N/A
Location: No Backflow Present

HVAC Information:

Unit: 1
Manufacturer: LENNOX
Model: CHA16-653-6Y
Serial: 5699A 05829
Tonnage: 5
Year: 1999
Notes:

Unit: 2
Manufacturer: LENNOX
Model: CHA16-653-6Y
Serial: 5699A 05825
Tonnage: 5
Year: 1999



Electrical Information:

Breaker Panel 1:
Service Type: 120/208
Panel Type: QO Load Center
Panel Number: R-5134
Manufacturer: Square D
Amps: Not Listed
Location: Main Space
Note: Labeled 1

Breaker Panel 2:
Service Type: 120/208
Panel Type: QO Load Center
Panel Number: R-5134
Manufacturer: Square D
Amps: Not Listed
Location: Main Space
Note: Labeled 2

Exterior Disconnect Information:

Exterior Disconnect 1:
Amps: 600
Panel Type: Q2-3223NRB Series 3
Panel Number: Not Listed
Manufacturer: Square D
Location: Rear Exterior of Unit 1
Note: 3 Disconnect Panels With a 200 Breaker Switch In Each

Ceiling Information:

Height from Floor to Ceiling:
Front: Open Back: Open
Floor to Bottom of Deck:
Front: 16' 8" Back: 15' 8"
Floor to Bottom of Joist:
Front: 14' 7" Back: 13' 6"

Fire Information:

Riser Location: No Riser In Unit
Sprinkler Heads Present: No
Number of Sprinkler Heads: 0
Fire Alarm Control Panel:
Present: No
Brand: N/A
Model: N/A

Water Heater Information:

Gallons: N/A
Water Line (In): N/A
Manufacturer: N/A
Model: N/A
Location: N/A
Note: No Water Heater Present

Backflow Information:

Number: 2
Size: 1 1/2", 2"
Location: Rear Left Corner of Main Space

HVAC Information:

Unit: 1
Manufacturer: Trane
Model: YCD121C3H0AA
Serial: P08102393D
Tonnage: 10
Year: 1999

Unit: 2
Manufacturer: Trane
Model: TCD181C300AA
Serial: P09100730D
Tonnage: 15
Year: 1999

Unit: 3
Manufacturer: Rite-Temp
Model: RTH 803 AWC
Serial: S0994637
Tonnage: Water Chiller
Year: N/A

Unit: 4
Manufacturer: Trane
Model: TCD121C300AA
Serial: P02100628D
Tonnage: 10
Year: 1999

